

# RECEIVER FOR CALL DEVICE BA025



153 x 85 x 110 mm

- Receiver for call device, radio-controlled, compatible with 868.4 MHz systems.
- 5m long, 42V/0.5A loadable, potential-free relay output (NO contact).
- Teach-in function for receiving call-signals.
- Mains-operated with 6V wall plug transformer.
- Mounting: With up to four screws.
- Delivery includes wall plug transformer.
- Weight, including single package: 0.3 kg



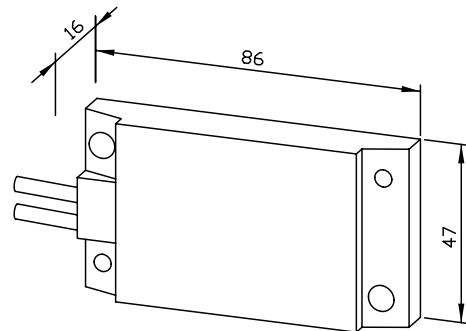
## Suggested text for specifications:

Receiver for call device, radio-controlled, compatible with 868.4 MHz-systems, mains-operated with teach-in function. 5m long, 42V/0.5A loadable, potential-free relay output. Delivery includes 6V wall plug transformer.

Dimensions call receiver: 86 x 47 x 16 mm

Dimensions wall plug transformer: 35 x 65 x 64 mm

Article No. BA025



Available surface	ID No.
Plastic	600 025

## Ernst Wagner GmbH & Co. KG

Ernst-Abbe-Straße 21 · D-72770 Reutlingen · Tel.: +49712151539-0 · Fax: -20  
info@wagner-ewar.de · www.wagner-ewar.de

WAGNER  
EWAR